

## Library

Minimalism, functionality, a combination of a solid and high-quality steel construction with natural materials unites the RUUMI collection of interior products. Create your own unique combination by choosing the material and surface treatment of the construction!

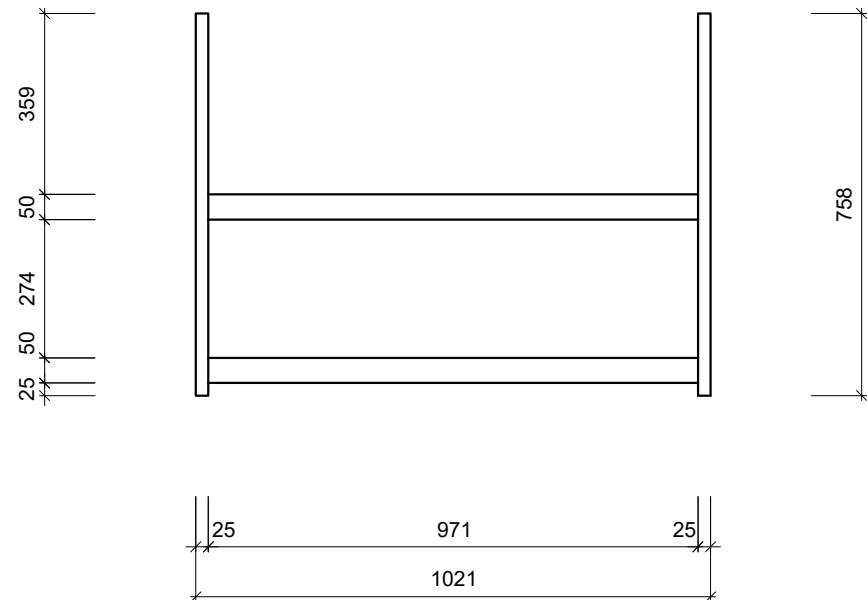
### Material:

- Valchromat  
colours: White Grey, Grey
- BauBuche
- Reznig Veneer  
colours: Blue Denim, Army Green, Jute Coffeebags, Flax

### Construction - surface treatment:

- Raw steel + transparent MAT lacquer
- Natural rust + transparent MAT lacquer
- Coloured varnish - white (RAL 9016), yellow (RAL 1018), grey 1 (RAL 7047), grey 2 (RAL 7004), grey 3 (RAL 7000), grey 4 (RAL 7015), black (RAL 9005)

NOTICE! Attach the furniture to the wall using anchoring material suitable for the given type of wall. You hang the product on the anchor holes located on the back of the construction.



Product depth 375 mm